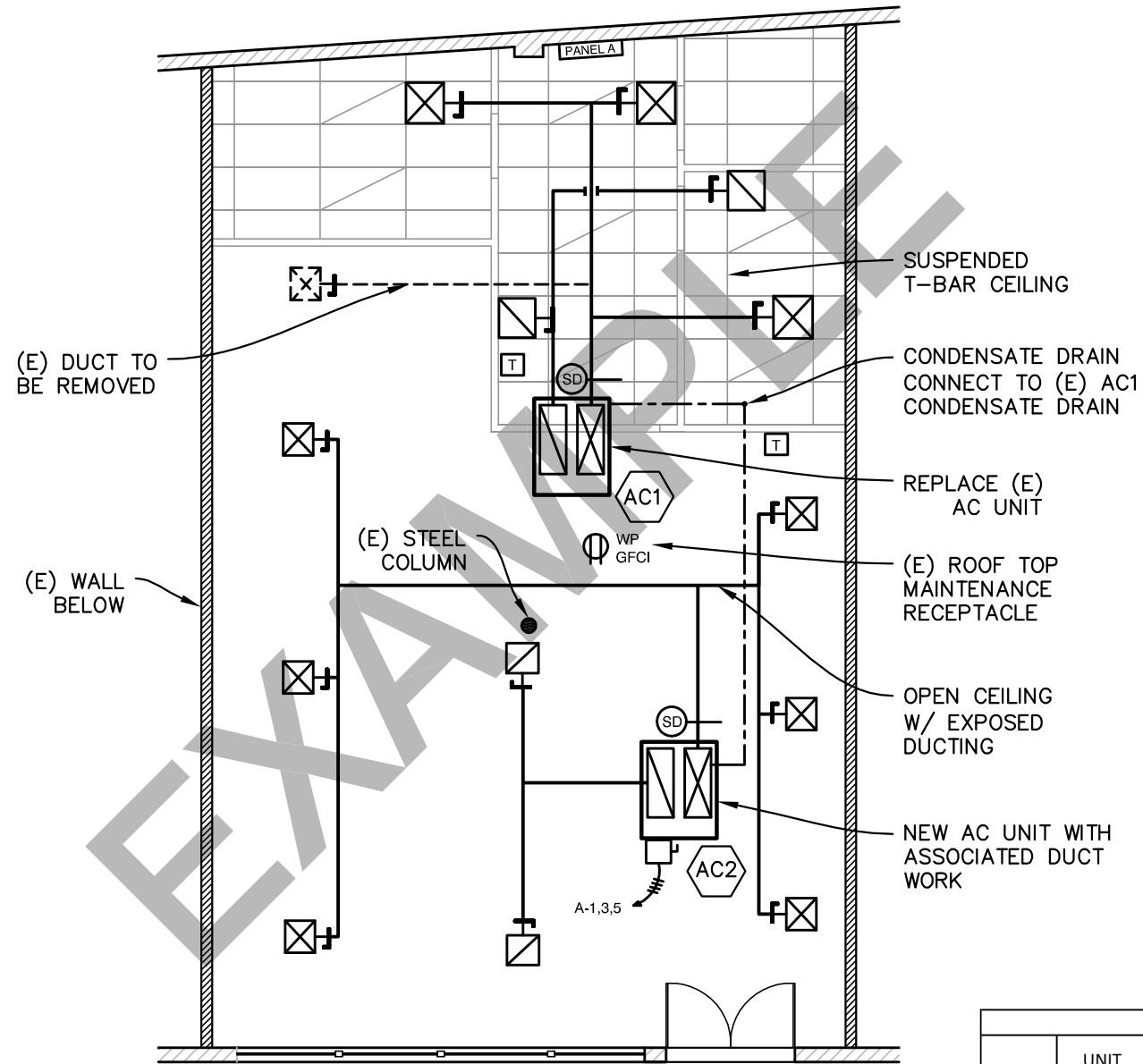




ROOFTOP MECHANICAL EQUIPMENT

THIS PLAN IS AN EXAMPLE ONLY. DEPENDING ON THE NATURE OF YOUR PROJECT, BUILDING & SAFETY MAY REQUIRE ADDITIONAL PLANS AND/OR CALCULATIONS TO DEMONSTRATE CODE COMPLIANCE.



MECHANICAL PLAN

SCALE: 1/8" = 1'-0"

LEGEND

- RETURN AIR GRILL
- SUPPLY AIR GRILL
- SMOKE DETECTOR
- THERMOSTAT
- WP GFCI EXTERIOR GFCI RECEPTACLE
- EQUIPMENT DISCONNECT

BASIC PLAN REQUIREMENTS

- PLANS SHALL BE DRAWN ON SUBSTANTIAL PAPER (11"x17" OR LARGER).
- PLAN SHALL BE MINIMUM 1/8" = 1'-0" SCALE.
- TEXT SHALL BE LEGIBLE.
- SHEETS SHALL BE NUMBERED.
- WORK DONE ON COPIES OF PREVIOUSLY APPROVED PLANS IS NOT ACCEPTABLE.

MECHANICAL REQUIREMENTS

- PROVIDE DUCT SIZES FOR ASSOCIATED DUCT WORK ON THE PLAN OR ON A SCHEDULE. INCLUDE INSULATION RATING.
- PROVIDE DIFFUSER, RETURN AIR GRILLE SIZES AND CFM ON THE PLANS OR ON A SCHEDULE.
- PROVIDE SMOKE DETECTOR IN SUPPLY DUCT WITH AUTOMATIC SHUTDOWN WHEN REQUIRED.
- PROVIDE ECONOMIZER WITH DIAGNOSTICS INCLUDED, WHEN REQUIRED.
- ALL MATERIALS USED IN THE CONSTRUCTION OF THE DUCT WORK SHALL BE APPROVED AND LISTED FOR THE PROPOSED USE.
- ALL DUCT WORK SHALL BE SUPPORTED AND BRACED PER SMACNA STANDARDS.

SCOPE OF WORK

- THE FIRST SHEET OF PLANS SHALL INCLUDE A DESCRIPTION OF WORK, THE NAME OF THE OWNER/TENANT, AND THE DESIGNER'S NAME AND CONTACT INFORMATION.
- EACH SHEET OF PLANS SHALL INCLUDE THE PROJECT ADDRESS.

ENERGY EFFICIENCY REQUIREMENTS

- PROVIDE ENERGY CODE (TITLE 24 PART 6) COMPLIANCE FORMS, AS REQUIRED.

OTHER DISCIPLINES

- PROVIDE ELECTRICAL AND PLUMBING PLANS AS REQUIRED
- ALL ASPECTS OF THE INSTALLATION SHALL MEET THE REQUIREMENTS SET FORTH BY THE CURRENTLY ADOPTED VERSION OF THE CMC, CPC, CEC, CBC, CALIFORNIA ENERGY STANDARDS AND LOCALLY ADOPTED ORDINANCES AND AMENDMENTS.

LICENSED PROFESSIONAL

- PLANS SHALL BE SEALED AND SIGNED BY A LICENSED MECHANICAL ENGINEER OR SIGNED BY THE LICENSED MECHANICAL CONTRACTOR WHO WILL PERFORM THE WORK.

MARK	UNIT TYPE	MANUFACTURER/ MODEL #	COOLING TONS	HEATING BTUH	AIRFLOW CFM	O.A CFM	MECHANICAL EQUIPMENT SCHEDULE					OPER. WGT. (LBS)	REMARKS	NOTES
							EFFICIENCY		ELECTRICAL					
							COOLING	HEATING	VOLTAGE/ PHASE	MCA FLA	MOCP			
AC1	RTU	BORGE-AIR 42HCSTU28	3.5	42,000	1,450	190*	14.1	8	208V/3φ	24.6	35	416	COMPLETE WITH FACTORY SUPPLIED CURB	
AC2	RTU	BORGE-AIR 60HCSTU26-EC	5	60,000	1,730	59*	14	8	208V/3φ	30.7	45	472	COMPLETE WITH FACTORY SUPPLIED CURB	1

NOTES:

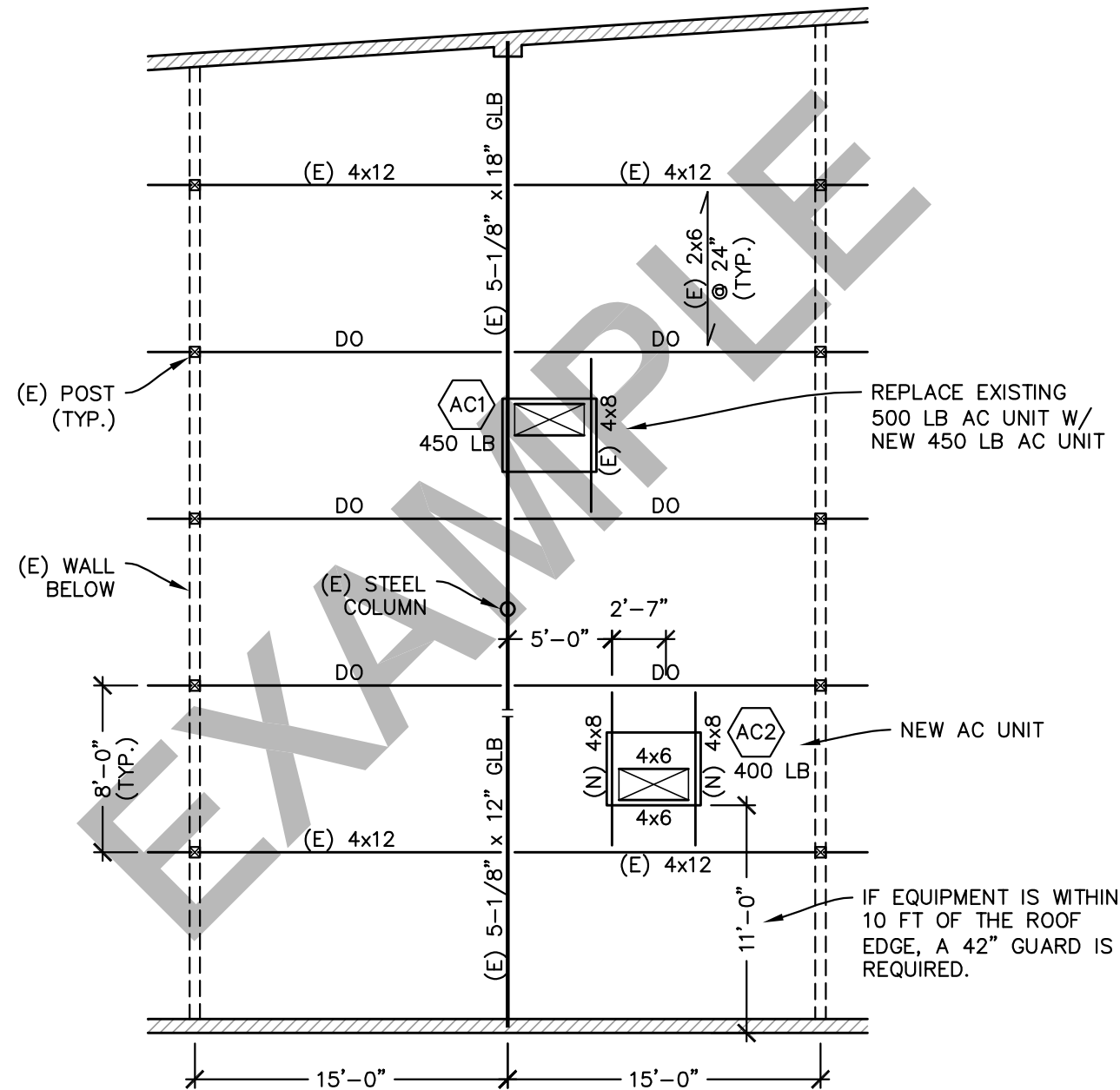
- INSTALL FACTORY ECONOMIZER WITH SOLID STATE CONTROLS AND FAULT DETECTION DIAGNOSTICS.
-

*MINIMUM QUANTITY OF OUTSIDE AIR SHALL BE CALCULATED AS REQUIRED BY THE CURRENTLY ADOPTED MECHANICAL AND ENERGY CODES.



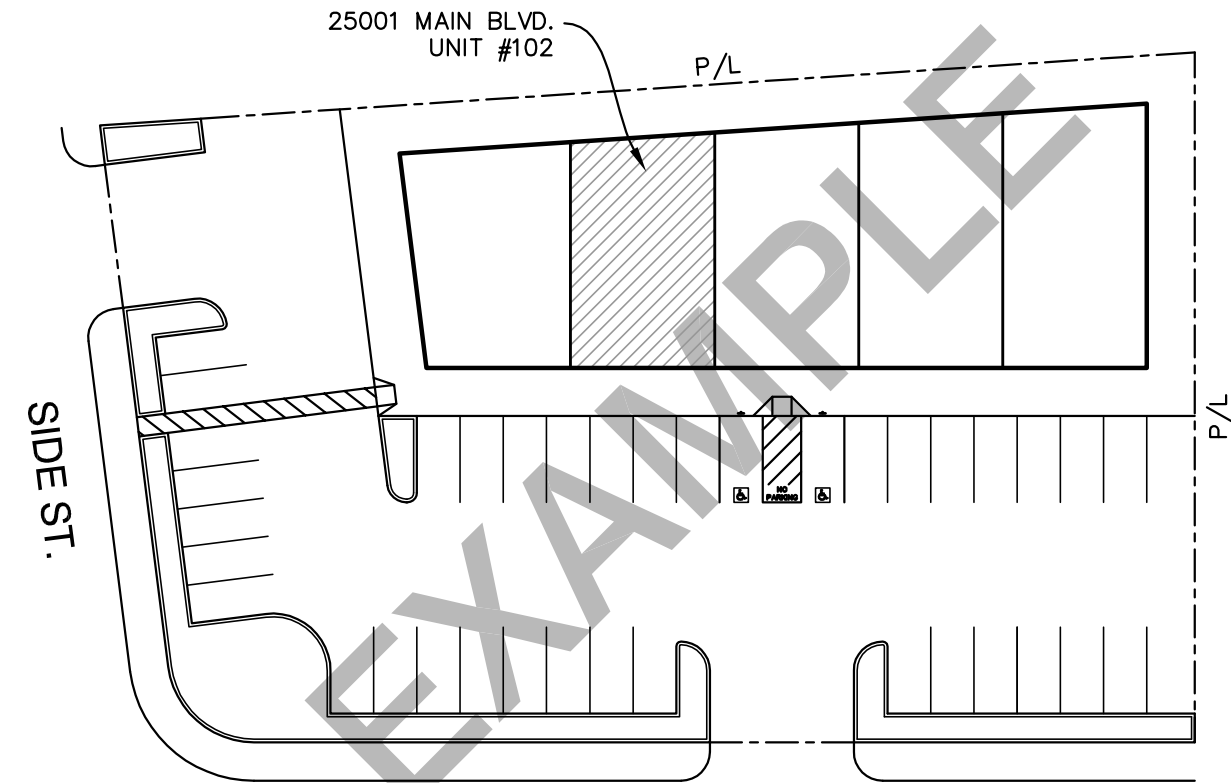
ROOFTOP MECHANICAL EQUIPMENT

THIS PLAN IS AN EXAMPLE ONLY. DEPENDING ON THE NATURE OF YOUR PROJECT, BUILDING & SAFETY MAY REQUIRE ADDITIONAL PLANS AND/OR CALCULATIONS TO DEMONSTRATE CODE COMPLIANCE.



ROOF PLAN

SCALE: 1/8" = 1'-0"



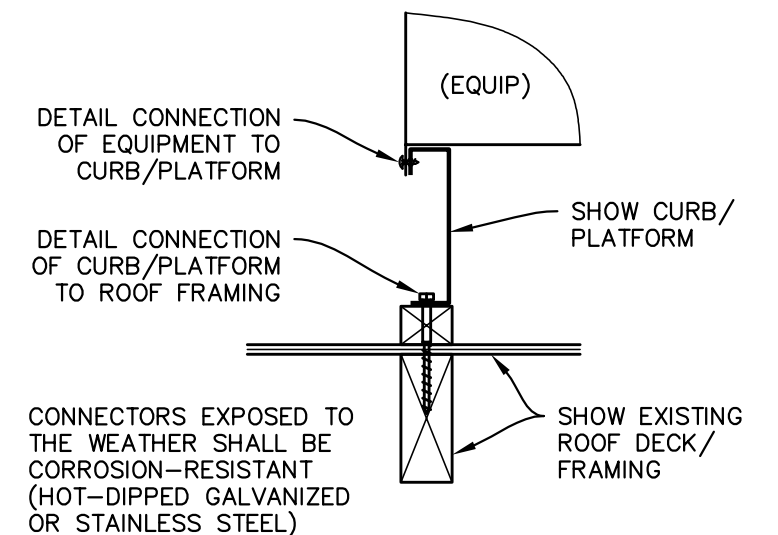
SITE PLAN

SCALE: 1" = 40'



STRUCTURAL ENGINEERING

- WHEN STRUCTURAL ENGINEERING IS REQUIRED, THE FOLLOWING ITEMS SHALL BE PROVIDED:
- STRUCTURAL CALCULATIONS AND DETAILS FOR ALL FRAMING AND CONNECTIONS SUPPORTING NEW EQUIPMENT LOADS.
 - STRUCTURAL CALCULATIONS AND DETAILS FOR EQUIPMENT ANCHORAGE CONNECTIONS.
 - STRUCTURAL MATERIAL SPECIFICATIONS.
 - STRUCTURAL DETAILS FOR NEW OPENINGS IN EXISTING ROOF (WHEN APPLICABLE).
 - FRAMING PLAN AND DETAILS SHALL BE PROVIDED ON FULL-SIZE SHEETS, AND SHALL BE SEALED AND SIGNED BY A CALIFORNIA LICENSED CIVIL OR STRUCTURAL ENGINEER.



ANCHORAGE DETAIL REQUIREMENTS

BASIC PLAN REQUIREMENTS

- PLANS SHALL BE DRAWN ON SUBSTANTIAL PAPER (11"x17" OR LARGER).
- PLAN SHALL BE MINIMUM 1/8" = 1'-0" SCALE.
- TEXT SHALL BE LEGIBLE.
- SHEETS SHALL BE NUMBERED.
- WORK DONE ON COPIES OF PREVIOUSLY APPROVED PLANS IS NOT ACCEPTABLE.

SCOPE OF WORK

- THE FIRST SHEET OF PLANS SHALL INCLUDE A DESCRIPTION OF WORK, THE NAME OF THE OWNER/TENANT, AND THE DESIGNER'S NAME AND CONTACT INFORMATION.
- EACH SHEET OF PLANS SHALL INCLUDE THE PROJECT ADDRESS.